

QUOTE / ORDER FORM

Canbear Equipment Inc. will manufacture sheaves to your specifications.
Please complete this form so that we may provide a quote for your sheave needs.



COMPANY

ADDRESS

CONTACT NAME

EMAIL

REFERENCE No.

PHONE

CELL

FAX

QUANTITY

SHEAVES

MATERIAL

- STEEL
- ALUMINUM
- NYLON
- OTHER
- STAINLESS STEEL

OPTIONS

- GROOVE FLAME HARDENED
- GREASE FITTING IN HUB
- KEYWAY AND SET SCREW
- PLATING

DIMENSIONAL MEASUREMENTS

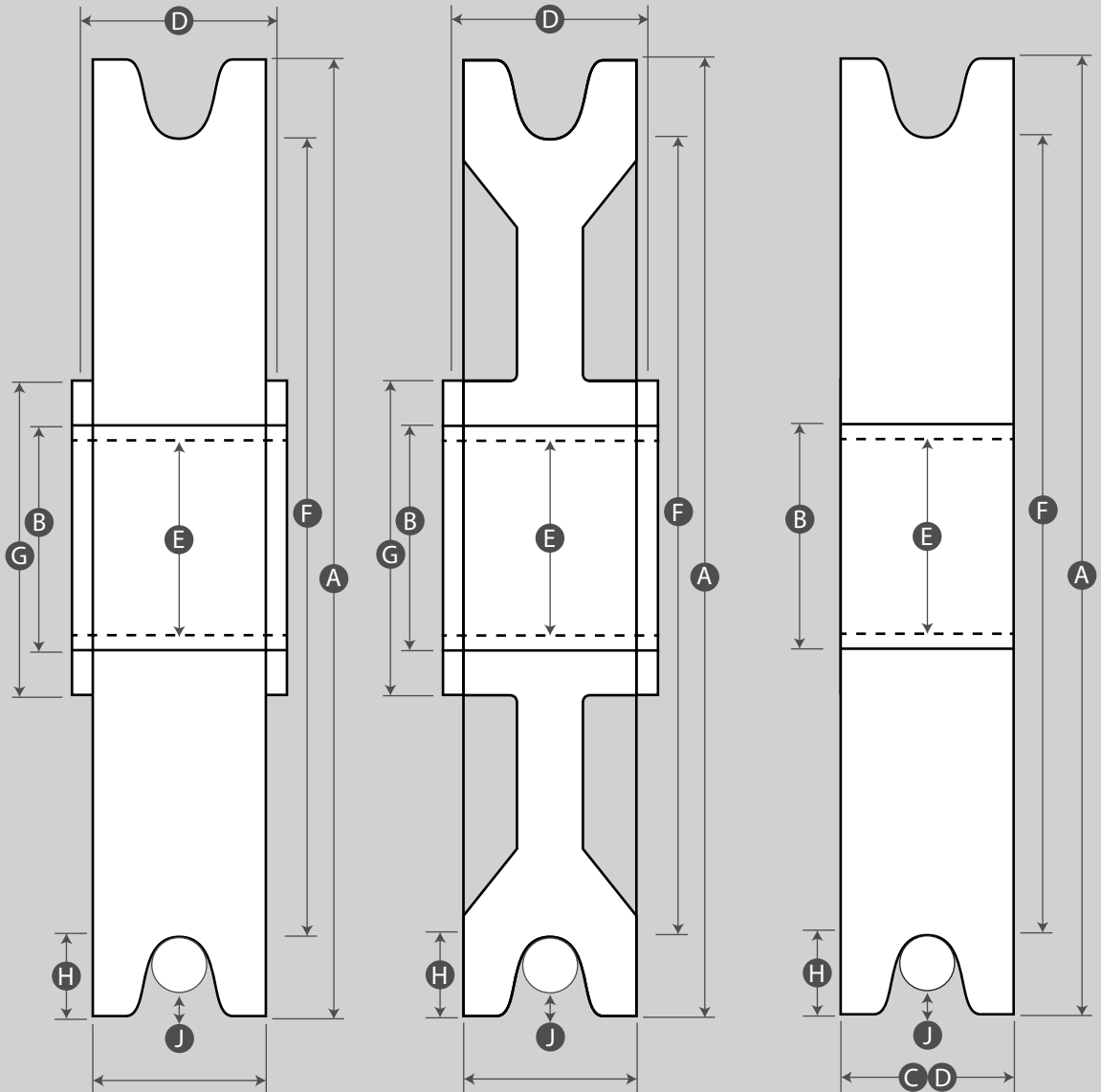
- IN INCHES
- MM MILLIMETRES

- **A** OUTSIDE DIAMETER
- **C** RIM WIDTH
- **E** SHAFT SIZE
- **G** HUB DIAMETER
- **B** FINISHED BORE
- **D** HUB WIDTH
- **F** GROOVE DIAMETER
- **J** ROPE DIAMETER
- **H** GROOVE DEPTH

TYPE 1:
NON WEB HUB STYLE

TYPE 2:
WEB / HUB STYLE

TYPE 3:
FLAT-SIDED / NO HUB



BUSHINGS

TYPE 1:
SELF LUBRICATING BRONZE



TYPE 2:
SAE660 GREASEABLE BRONZE
WITH FIGURE 8 GREASE GROOVE



BEARINGS

TYPE A:
HEAVY DUTY NEEDLE
ROLLER BEARING



TYPE B:
HEAVY DUTY NEEDLE ROLLER
BEARING WITH HARDENED INNER RACE



TYPE C:
HEAVY DUTY NEEDLE ROLLER
BEARING WITH SEALS



TYPE D:
BALL BEARING WITH OR
WITHOUT SEALS



TYPE E:
"TIMKEN" TAPERED ROLLER
BEARING AND DOUBLE CUP
SERIES FOR SHEAVES. EXTENDED
CONE RIBS GROUND FOR SEALS



NOTES:

.....

.....